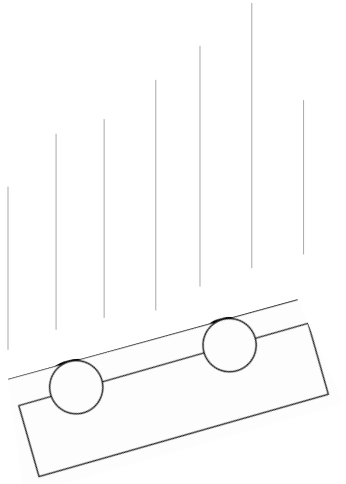
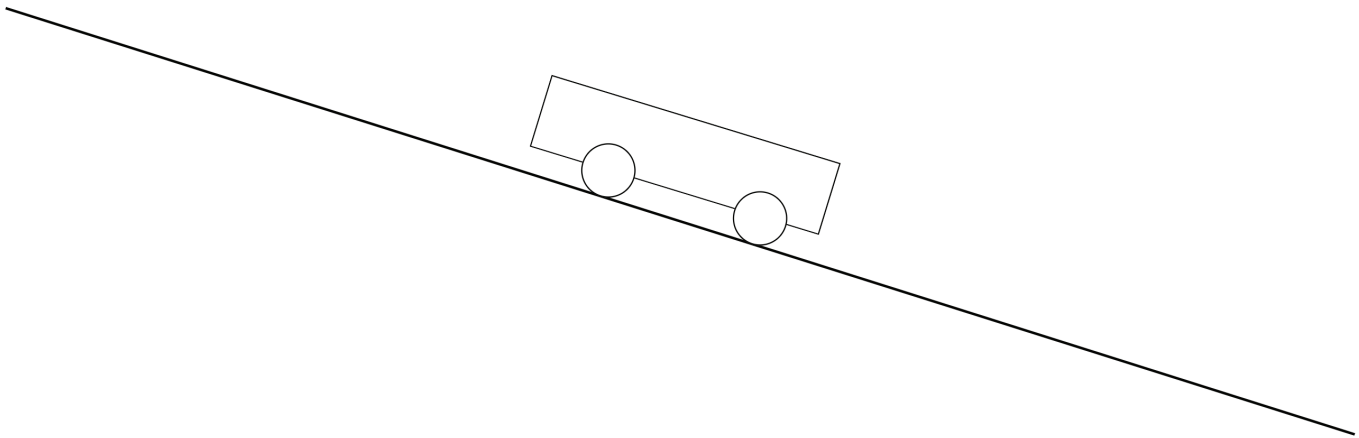


Draw and label the free body diagram arrows that represent the forces acting on the pinewood car in each scenario

**DROP**



**SLOPE**



**ROCKET**

